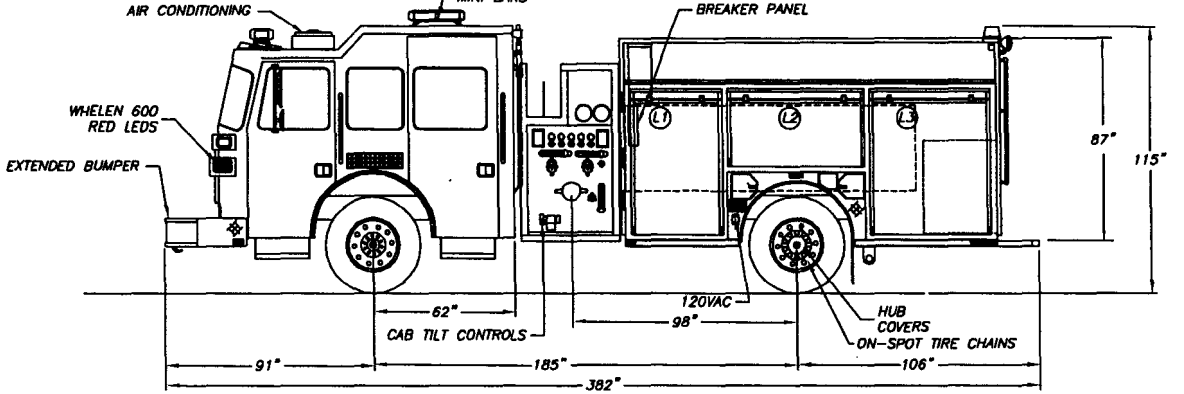
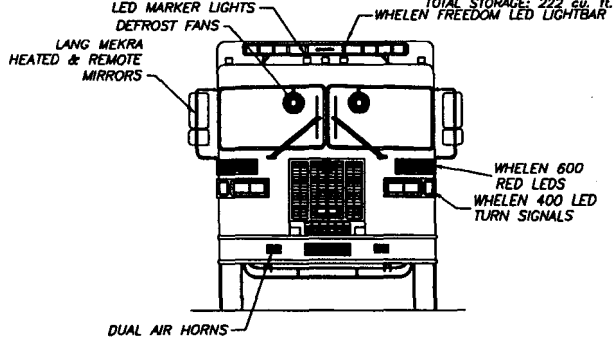
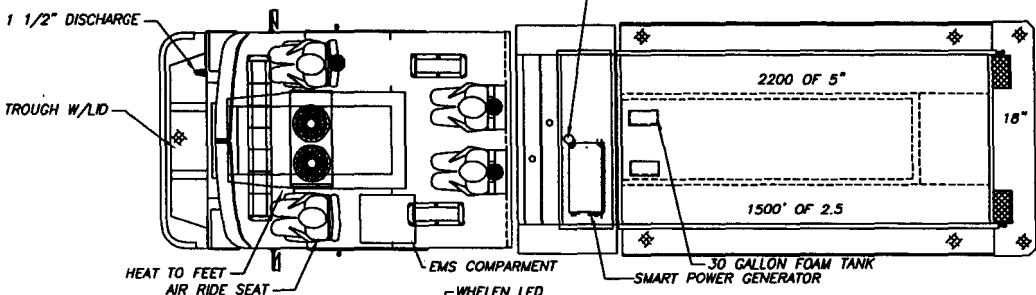


LEFT SIDE COMPARTMENTATION				
COMPT	DOORS	OPENING DIMENSIONS	INSIDE DIMENSIONS	VOLUME
L1	ROLL-UP	37" X 58 7/8"	43" X 88" X 27 1/4"	40 CU. FT.
L2	ROLL-UP	37" X 27 3/8"	81 1/2" X 38 1/2" X 27 1/4"	30 CU. FT.
L3	ROLL-UP	50" X 58 7/8"	56" X 88" X 27 1/4"	32 CU. FT.

RIGHT SIDE COMPARTMENTATION				
COMPT	DOORS	OPENING DIMENSIONS	INSIDE DIMENSIONS	VOLUME
R1	ROLL-UP	37" X 58 7/8"	43" X 88" X 27 1/4"	38 CU. FT.
R2	ROLL-UP	37" X 27 3/8"	81 1/2" X 38 1/2" X 27 1/4"	13 CU. FT.
R3	ROLL-UP	50" X 58 7/8"	56" X 88" X 27 1/4"	34 CU. FT.

REAR STEP COMPARTMENTS				
COMPT	DOORS	OPENING DIMENSIONS	INSIDE DIMENSIONS	VOLUME
A1	ROLL-UP	37 1/2" X 31"	40" X 40" X 28 1/2"	27 CU. FT.



The information presented on this document is to be used for illustrative purposes only and it may not reflect, aesthetically or otherwise, past or present manufactured products. Sutphen Corporation reserves the right to make changes in the design of our products, at any time, without notification.

- NOTES:
1) 54" REAR FRAME CUT OFF.
2) DECKGUN FLANGE FLUSH WITH SIDE METAL.

The undersigned approves this data for construction in accordance with any changes as indicated on these drawings.

APPROVED BY: _____ DATE: _____
(Authorized Fire Dept. Representative)

SALES REPRESENTATIVE: _____ DATE: _____

REV	DESCRIPTION	BY	DATE

THIS PRINT IS PROVIDED ON A RESTRICTED BASIS AND IS NOT TO BE USED IN ANY WAY RETRIBUTIVE TO THE INTERESTS OF SUTPHEN CORPORATION.

SUTPHEN CORPORATION
FIRE APPARATUS SINCE 1890
6450 EXETERMAN ROAD
DUBLIN, OHIO 43018

BY: A. HOLDERMAN
DATE: 09-25-08
TITLE: NONE

Columbia, MO
"S2" SERIES PUMPER

REV: NONE
HS-4604