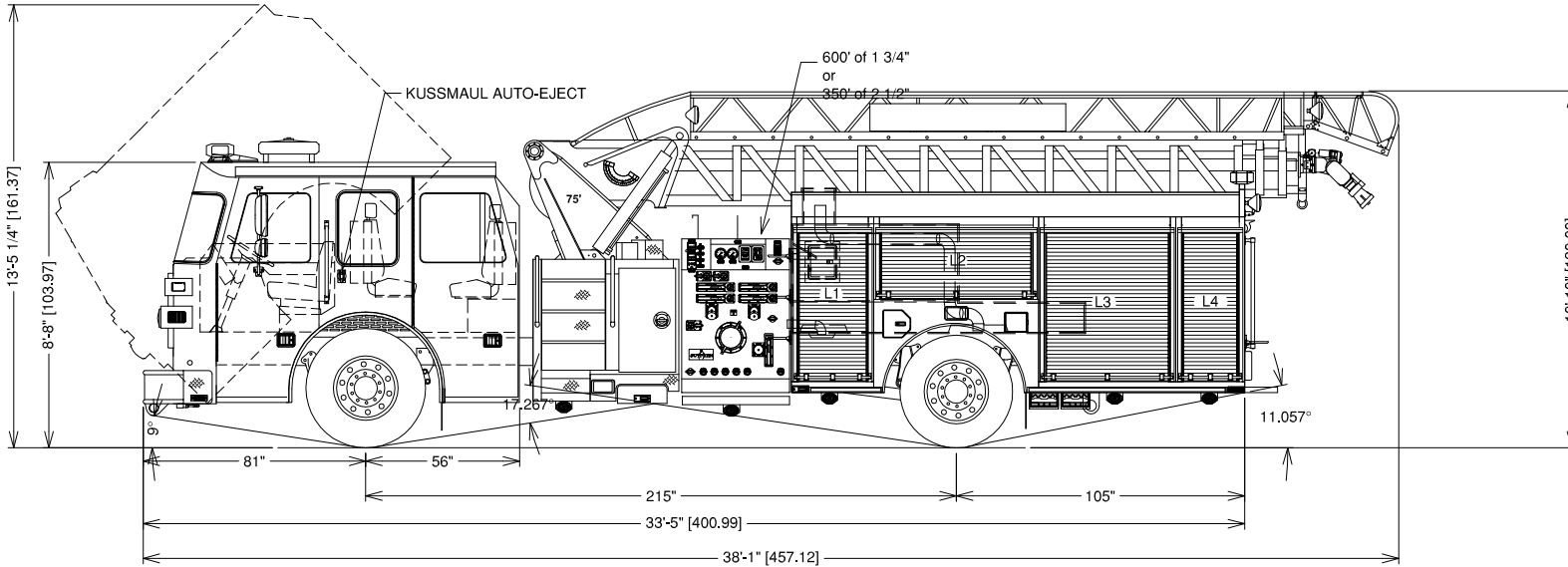
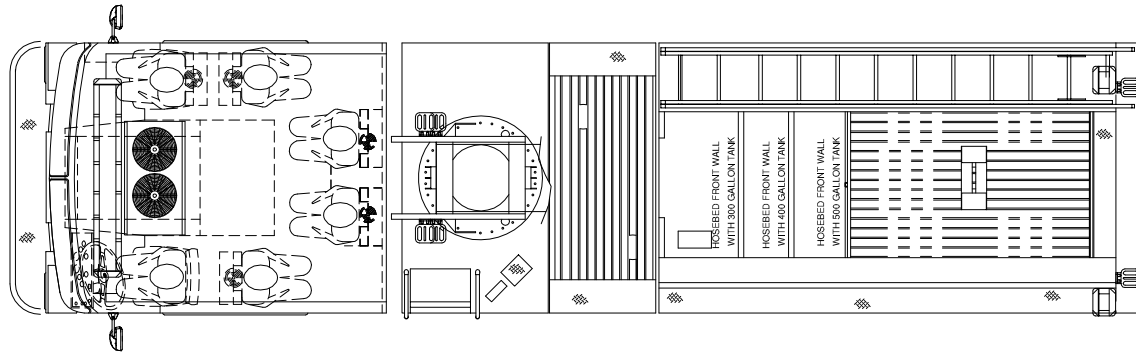
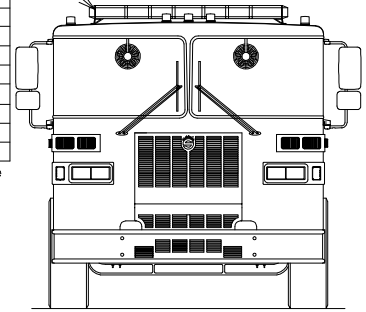


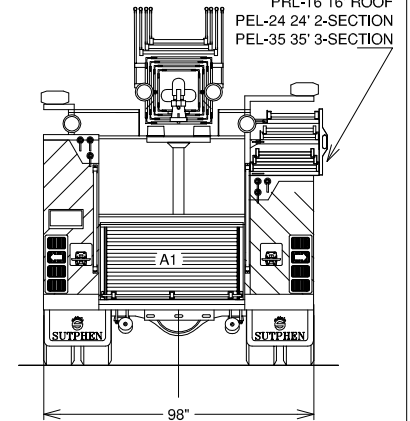
WHELEN FN72QLED LIGHTBAR

COMP'T	DIMENSIONS
L1	30"W x 60"H x 20"D
L2	60"W x 30"H x 20"D
L3	50"W x 60"H x 20"D
L4	25"W x 60"H x 20"D
R1	30"W x 45"H x 25"D
R2	60"W x 15"H x 25"D
R3	50"W x 45"H x 25"D
R4	25"W x 45"H x 25"D
A1	53"W x 30"H x 40"D

197 cubic feet of compartment space
 80 cubic feet of hosebed
 2 crosslays of 300 of 1 3/4" each
 Up to 500 gallon tank
 Quint ground ladders



ALCO-LITE QUINT LADDER COMPLIMENT
 FL-1 10' FOLDING
 PRL-16 16' ROOF
 PEL-24 24' 2-SECTION
 PEL-35 35' 3-SECTION



0.2 D = 0.25 cm

REV	BY	DATE	DESCRIPTION	REV	BY	DATE	DESCRIPTION

Proprietary data is included in the information disclosed herein and is the sole property of SUTPHEN TOWERS INCORPORATED. This information is submitted in confidence and neither this document nor the information disclosed herein shall be reproduced or transferred to other documents or disclosed to others for manufacturing or for any other purpose except as specifically authorized in writing by SUTPHEN TOWERS INCORPORATED.



SUTPHEN TOWERS INCORPORATED
 4800 SUTPHEN COURT
 HILLIARD, OHIO 43026
 (614)876-1262
 (614)876-3073 (FAX)

FIRE DEPARTMENT
 CITY, STATE
MANUFACTURED BY ALCO-LITE (POMONA, CALIF.)

DWG NO. **SA75**

CONSTRUCTION APPROVAL DRAWING

SHEET 1 OF 1